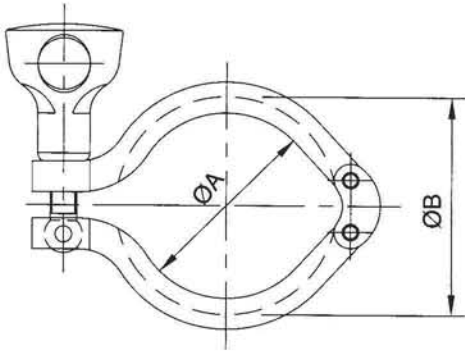
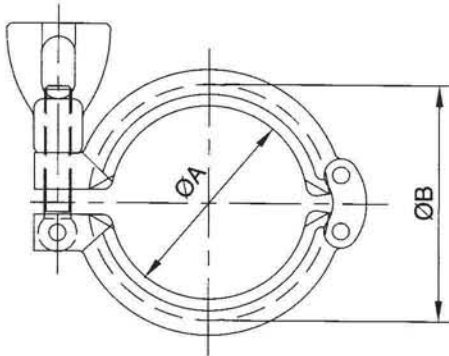


Unit: mm



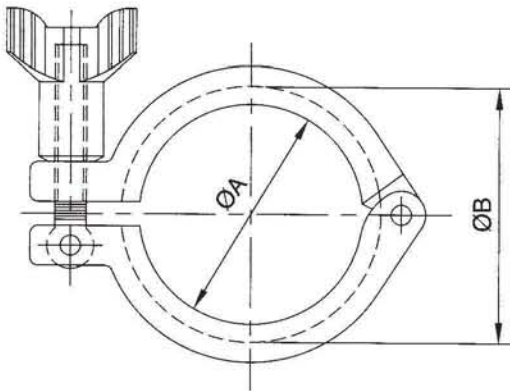
13MHHM Heavy Duty Double Pin Clamp

SIZE	A	B
1/2"-3/4"	20	28
1.5"	43.6	53.6
2.0"	57	67
2.5"	70.6	80.6
3.0"	84	94
4.0"	112	122
6.0"	155	170
8.0"	205	220.8



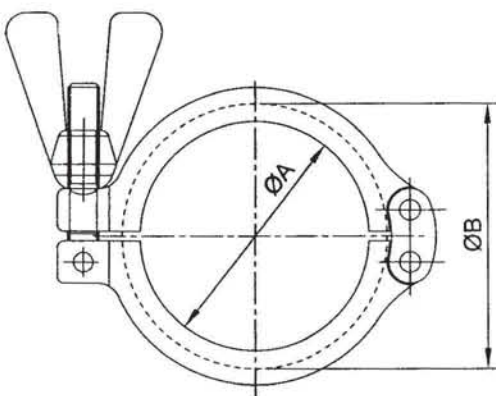
13SF Heavy Duty Double Pin Clamp

SIZE	A	B
1/2"-3/4"	20	28
A37	27.5	42.9
1.5"	45	58.6
2.0"	59	72
2.5"	67	84
3.0"	85	98
4.0"	114	127



13MHH Heavy Duty Single Pin Clamp

SIZE	A	B
A37	27.8	37
1-11/2"	44.4	53.6
2.0"	57.8	67
2 1/2"	71.4	80.6
3.0"	84	94.2
3 1/2"	99	109.2
4.0"	110	122.2
4 1/2"	123	133.2
6.0"	155.4	170.4
8.0"	205	220

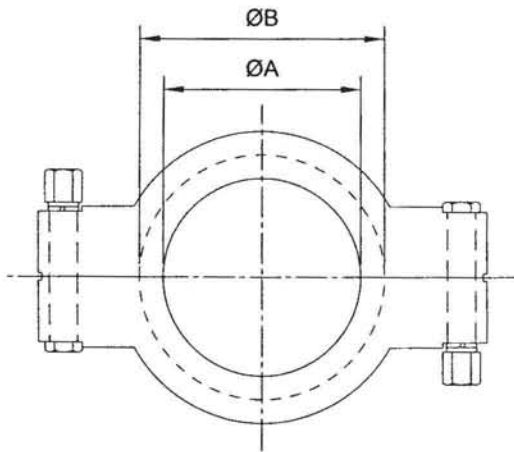


13CS Double Pin Clamp

SIZE	A	B
3/4"	20.58	28.34
DN10-20	27.2	37
1.5"	41.02	53.52
DN25-40	44.5	54.5
2.0"	54.54	67.04
DN50	57	68
2.5"	68.02	80.52
3.0"	81.52	94.02
DN65	84	95
DN80	99	110

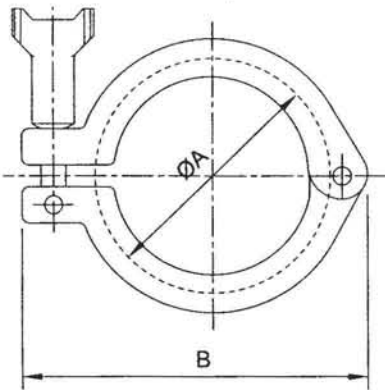
SIZE	A	B
4.0"	109.54	122.04
DN100	112	123
DN115	123	134
DN125	144	129
6.0"	157.6	175.1
DN150	172	187
8.0"	207.4	225.9
DN200	222.5	237.5
DN250	287	272
DN300	308	323

Unit: mm



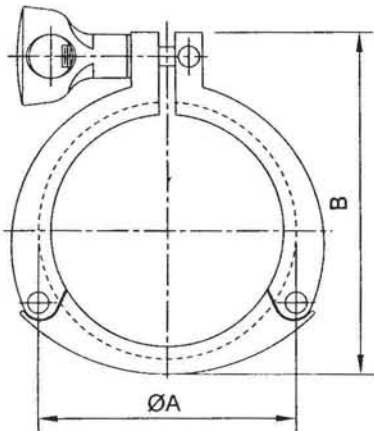
13MHP High Pressure Clamp

SIZE	A	B
1.5"	43.32	52.0
2.0"	56.44	65.5
2.5"	69.54	79.0
3.0"	77.56	92.5
4.0"	108.86	120.5
6.0"	158	170
8.0"	222.5	237.5
10"	258.2	272.8
12"	309	327.6



13IS I-LINE Clamp

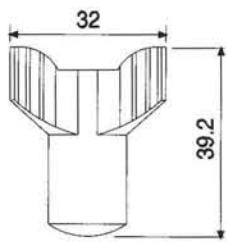
SIZE	A	B
1-1/2"	53.4	83.8
2.0"	72.2	111
2-1/2"	88.1	121.4
3.0"	102.4	136.1
4.0"	127.8	162
6.0"	195.3	242.1



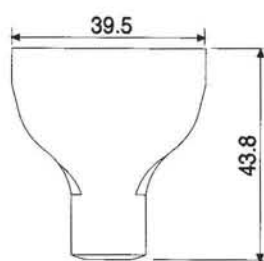
3 Pieces Clamp

SIZE	A	B
1-1/2"	54	80
2.0"	67.5	94
2-1/2"	80.9	109
3.0"	84.4	126
4.0"	122.4	154

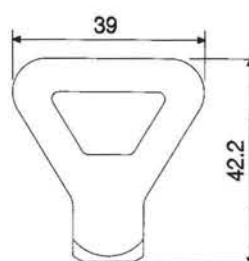
Wing-Nut for Clamp-Ring



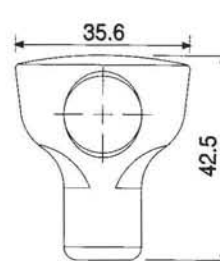
13MHH-11



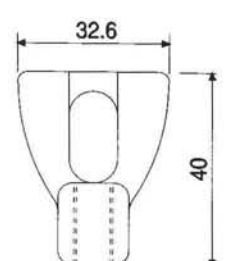
13MHH-12



13MHH-13



13MHH-14



13SP-2