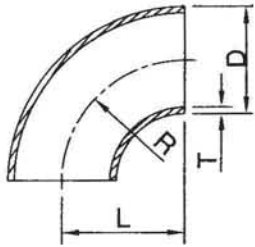


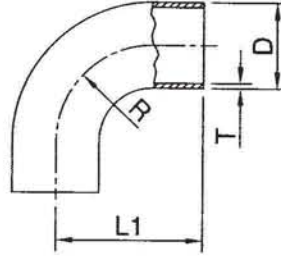
Unit: mm

DIN 90° Short Bend



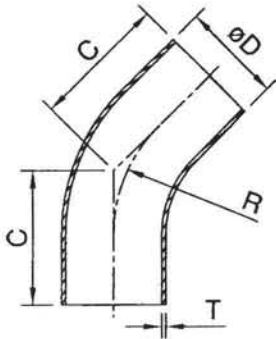
SIZE	D	L1	R	T
DN25	28	50	50	1.5
DN32	34	55	55	1.5
DN40	40	60	60	1.5
DN50	52	70	70	1.5
DN65	70	80	80	2.0
DN80	85	90	90	2.0
DN100	101.6	133	133	2.0
DN100	104	100	100	2.0

DIN 90° Long Bend



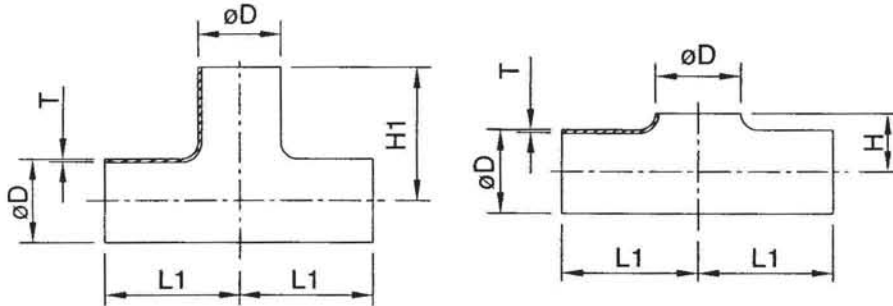
SIZE	D	L1	R	T
DN25	28	65	50	1.5
DN32	34	73	55	1.5
DN40	40	80	60	1.5
DN50	52	92	70	1.5
DN65	70	105	80	2.0
DN80	85	119	90	2.0
DN100	101.6	175	133	2.0
DN100	104	140	100	2.0

DIN 45° Long Bend



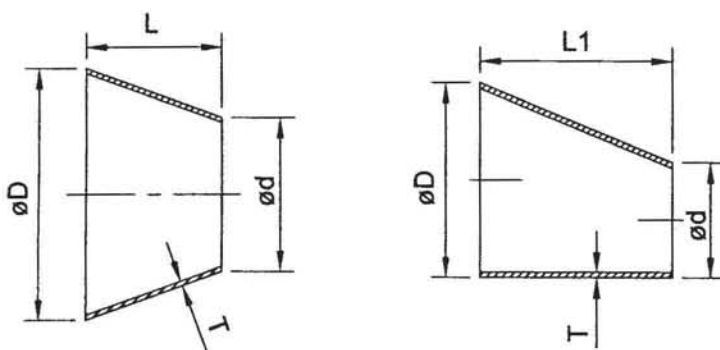
SIZE	D	C	R	T
DN25	28	20	20	1.5
DN32	34	23	23	1.5
DN40	40	20	20	1.5
DN50	52	27	27	1.5
DN65	70	30	30	2.0
DN80	85	33	33	2.0
DN100	104	40	40	2.0

DIN Tee & Pull Tee



SIZE	øD	H	H1	L1	T
DN20	22	13	47	47	1.5
DN25	28	15.5	50	50	1.5
DN32	34	19	55	55	1.5
DN40	40	22	60	60	1.5
DN50	52	28.5	70	70	1.5
DN65	70	39.5	80	80	2.0
DN80	85	46.5	90	90	2.0
DN100	101.6	56	150	150	2.0
DN100	104	58	100	100	2.0

DIN Concentric Reducer



SIZE	øD	ød	T	L	L1
32X25	32	26	1.5	11	16.5
40X25	38	26	1.5	22	33
40X32	38	32	1.5	11	16.5
50X25	50	26	1.5	44	66
50X32	50	32	1.5	33	49.5
50X40	50	38	1.5	22	33
65X40	66	38	2.0	51	77
65X50	66	50	2.0	29	44
80X50	81	50	2.0	56	85
80X65	81	66	2.0	27	41.2
100X50	100	50	2.0	90	137.5
100X65	100	66	2.0	61	93.5
100X80	100	81	2.0	34	52.5