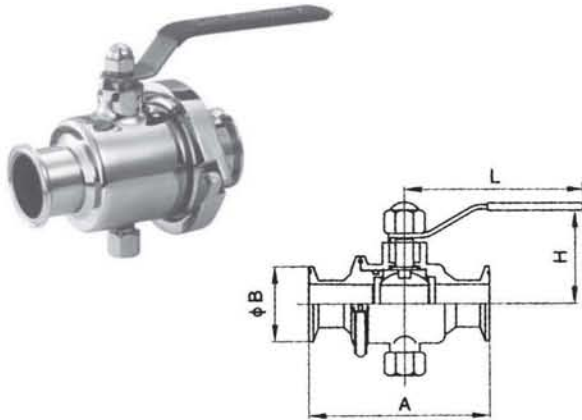


Unit: mm

Portable Ball Valve Clamp End



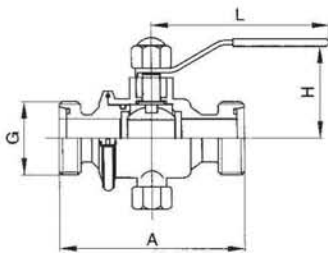
DIN

Size	A	B	H	L
DN15	105.0	34.0	55.0	125.0
DN20	105.0	34.0	55.0	125.0
DN25	125.0	50.5	55.0	140.0
DN32	132.0	50.5	65.0	150.0
DN40	140.0	50.5	65.0	160.0
DN50	159.0	64.0	85.0	180.0
DN65	180.0	91.0	100.0	200.0

SMS/ISO/3A

Size	A	B	H	L	
3/4"	19	105.0	25.4	55.0	125.0
1"	25	125.0	50.5	55.0	140.0
1 1/4"	32	132.0	50.5	65.0	150.0
1 1/2"	38	140.0	50.5	65.0	160.0
2"	51	159.0	64.0	85.0	180.0
2 1/2"	63	180.0	77.5	100.0	200.0

Portable Ball Valve Thread End



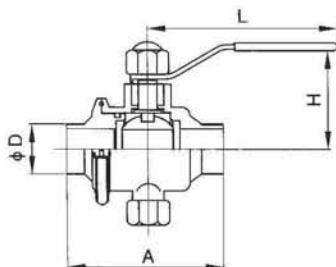
DIN

Size	A	G	H	L
DN20	138.0	RD44X1/6	55.0	125.0
DN25	155.0	RD52X1/6	55.0	140.0
DN32	160.0	RD58X1/6	65.0	150.0
DN40	170.0	RD65X1/6	65.0	160.0
DN50	192.0	RD78X1/6	85.0	180.0
DN65	216.0	RD95X1/6	100.0	200.0

SMS

Size	A	G	H	L
25	151.0	RD40X1/6	55.0	140.0
32	156.0	RD48X1/6	65.0	150.0
38	170.0	RD60X1/6	65.0	160.0
51	190.0	RD70X1/6	85.0	180.0
63	217.0	RD85X1/6	100.0	200.0

Portable Ball Valve Weld End



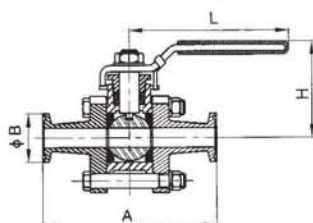
DIN

Size	A	D	H	L
DN20	100.0	22.0	55.0	125.0
DN25	115.0	28.0	55.0	140.0
DN32	120.0	34.8	65.0	150.0
DN40	130.0	40.0	65.0	160.0
DN50	150.0	52.0	85.0	180.0
DN65	170.0	70.0	100.0	200.0

SMS/ISO/3A

Size	A	D	H	L	
3/4"	19	100.0	19.0	55.0	125.0
1"	25	115.0	25.0	55.0	140.0
1 1/4"	32	120.0	31.8	65.0	150.0
1 1/2"	38	130.0	38.1	65.0	160.0
2"	51	150.0	50.8	85.0	180.0
2 1/2"	63	170.0	63.5	100.0	200.0

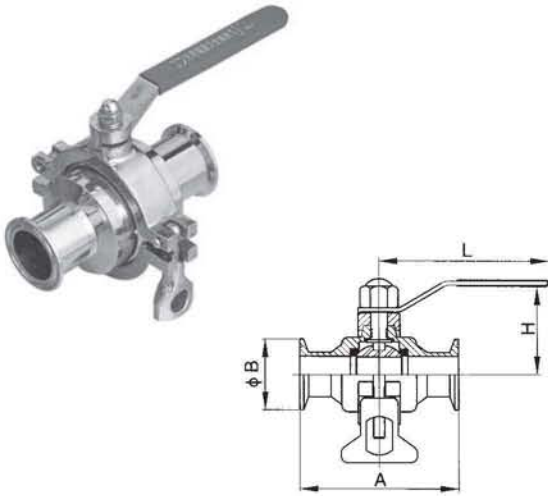
3PC Ball Valve Clamp End



Size	A	B	H	L
1/2"	75.0	25.0	64.0	125.0
3/4"	90.0	25.0	67.0	125.0
1"	100.0	50.4	83.0	140.0
1 1/4"	110.0	50.4	89.0	140.0
1 1/2"	125.0	50.4	100.0	200.0
2"	150.0	63.9	108.0	200.0
2 1/2"	190.0	77.4	150.0	250.0
3"	220.0	90.0	161.0	250.0
4"	270.0	118.9	180.0	290.0

Unit: mm

Non-Retention Ball Valve Clamp End



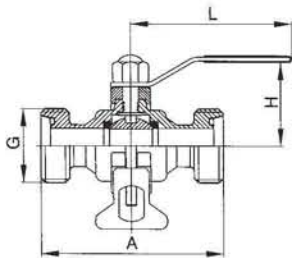
DIN

Size	A	B	H	L
DN15	90	34.0	65.0	105.0
DN20	100	34.0	65.0	105.0
DN25	110	50.5	70.0	105.0
DN32	120	50.5	80.0	130.0
DN40	140	50.5	80.0	150.0
DN50	164	64.0	85.0	160.0
DN65	180	91.0	100.0	180.0

SMS/ISO/3A

Size	A	B	H	L
3/4"	19	90.0	25.4	65.0
1"	25	110.0	50.5	70.0
1 1/4"	32	120.0	50.5	80.0
1 1/2"	38	140.0	50.5	80.0
2"	51	164.0	64.0	85.0
2 1/4"	57	170.0	77.5	110.0
2 1/2"	63	180.0	77.5	110.0

Non-Retention Ball Valve Thread End



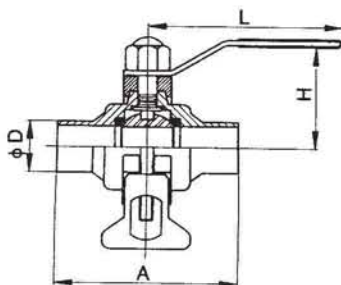
DIN

Size	A	G	H	L
DN15	114.0	34X1/6	65.0	105.0
DN20	128.0	44X1/6	65.0	105.0
DN25	140.0	52X1/6	70.0	105.0
DN32	150.0	58X1/6	80.0	130.0
DN40	170.0	65X1/6	80.0	150.0
DN50	196.0	78X1/6	85.0	160.0
DN65	216.0	95X1/6	100.0	180.0

SMS

Size	A	G	H	L
25	136.0	40X1/6	70.0	105.0
32	146.0	48X1/6	80.0	130.0
38	170.0	60X1/6	80.0	150.0
51	194.0	70X1/6	85.0	160.0
63	197.0	85X1/6	100.0	180.0

Non-Retention Ball Valve Weld End



DIN

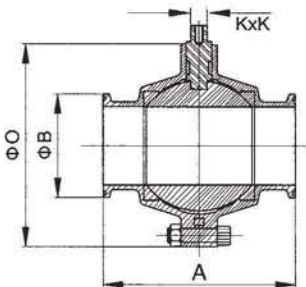
Size	A	D	H	L
DN15	90.0	18.0	65.0	105.0
DN20	100.0	22.5	65.0	105.0
DN25	110.0	28.0	70.0	105.0
DN32	120.0	34.0	80.0	130.0
DN40	140.0	40.0	80.0	150.0
DN50	164.0	52.0	85.0	160.0
DN65	180.0	70.0	100.0	180.0

SMS/ISO/3A

Size	A	D	H	L
3/4"	19	90.0	19.0	65.0
1"	25	100.0	25.4	70.0
1 1/4"	32	120.0	32.0	80.0
1 1/2"	38	140.0	38.1	80.0
2"	51	164.0	50.8	85.0
2 1/4"	57	170.0	57.0	110.0
2 1/2"	63	180.0	63.5	110.0

Unit: mm

Butterfly-type Ball Valve Clamp End



DIN

Size	A	O	B	KxK
DN15	91.0	78.0	34.0	8X8
DN20	91.0	86.0	34.0	8X8
DN25	95.0	90.0	50.5	10X10
DN32	95.0	90.0	50.5	10X10
DN40	95.0	102.0	50.5	11X11
DN50	119.0	124.0	64.0	11X11

ISO/IDF

Size	A	O	B	KxK
1"	91.0	86.0	50.5	8X8
1 1/4"	95.0	90.0	50.5	10X10
1 1/2"	95.0	102.0	50.5	11X11
2"	119.0	124.0	64.0	11X11

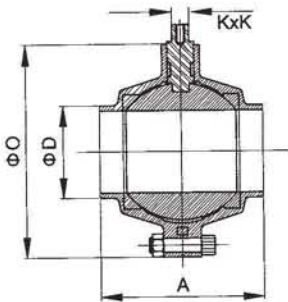
SMS

Size	A	O	B	KxK
25	91.0	86.0	50.5	8X8
32	95.0	90.0	50.5	10X10
38	95.0	102.0	50.5	11X11
51	119.0	124.0	64.0	11X11

3A

Size	A	O	B	KxK
1/2"	91.0	78.0	25.4	8X8
3/4"	91.0	78.0	25.4	8X8
1"	91.0	86.0	50.5	8X8
1 1/2"	95.0	102.0	50.5	11X11
2"	119.0	124.0	64.0	11X11

Butterfly-type Ball Valve Weld End



DIN

Size	A	O	D	KxK
DN15	66.0	78.0	18.0	8X8
DN20	66.0	86.0	22.0	8X8
DN25	70.0	90.0	28.0	10X10
DN32	70.0	90.0	34.0	10X10
DN40	70.0	102.0	40.0	11X11
DN50	94.0	124.0	52.0	11X11

ISO/IDF

Size	A	O	D	KxK
1"	66.0	86.0	25.4	8X8
1 1/4"	70.0	90.0	32.0	10X10
1 1/2"	70.0	102.0	38.1	11X11
2"	94.0	124.0	50.8	11X11

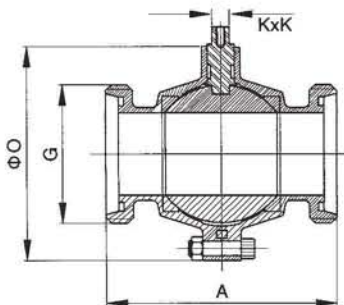
SMS

Size	A	O	D	KxK
25	66.0	86.0	25.4	8X8
32	70.0	90.0	32.0	10X10
38	70.0	102.0	38.1	11X11
51	94.0	124.0	50.8	11X11

3A

Size	A	O	D	KxK
1/2"	66.0	78.0	12.7	8X8
3/4"	66.0	78.0	19.1	8X8
1"	66.0	86.0	25.4	8X8
1 1/2"	70.0	102.0	38.1	11X11
2"	94.0	124.0	50.8	11X11

Butterfly-type Ball Valve Thread End



DIN

Size	A	O	G	KxK
DN15	100.0	78.0	RD34X1/8	8X8
DN20	104.0	86.0	RD44X1/6	8X8
DN25	110.0	90.0	RD52X1/6	10X10
DN32	110.0	90.0	RD58X1/6	10X10
DN40	110.0	102.0	RD65X1/6	11X11
DN50	136.0	124.0	RD78X1/6	11X11

SMS

Size	A	O	G	KxK
25	102.0	86.0	RD40X1/6	8X8
32	106.0	90.0	RD48X1/6	10X10
38	110.0	102.0	RD60X1/6	11X11
51	134.0	124.0	RD70X1/6	11X11

ISO/IDF

Size	A	O	G	KxK
1"	109.0	86.0	37.1X8TACME	8X8
1 1/2"	113.0	102.0	50.6X8TACME	11X11
2"	137.0	124.0	64.2X8TACME	11X11

RJT

Size	A	O	G	KxK
1"	120.0	86.0	45.7X8TWHIT	8X8
1 1/2"	124.0	102.0	58.4X8TWHIT	11X11
2"	148.0	124.0	72.7X6TWHIT	11X11