



应用

Applications

- 该离心泵是不锈钢制造，带有不锈钢电机外罩。
- 卫生和低成本效益的设计，使它非常适用于乳制品、饮料、食品加工，制药和精细化工工业中。
- The centrifugal pump is manufactured in stainless steel and with a hrouded motor.
- Its sanitary and cost-efficient design makes it perfect for the dairies, beverages, food-processing, pharmaceutical and fine chemicals industries.

工作原理

Operating Principles

- 叶轮安置在泵壳里面，它和泵轴一起在联合中旋转，叶轮刀片以动能和压力的形式将能量传达给流体。
- 该泵即使通过简单的反向旋转，也是不可行的。从电机后面也可以看出泵的旋转方向，正确的旋转方向，是顺时针的。
- Housed inside the casing, the impeller rotates in conjunction with the pump shaft. With this arrangement, the impeller blades convey energy to the fluid in the form of kinetic energy and pressure energy.
- This pump is not reversible by simple reversal of the direction of rotation. The direction of rotation is clockwise when the pump is viewed from the rear side of the motor.

技术规格

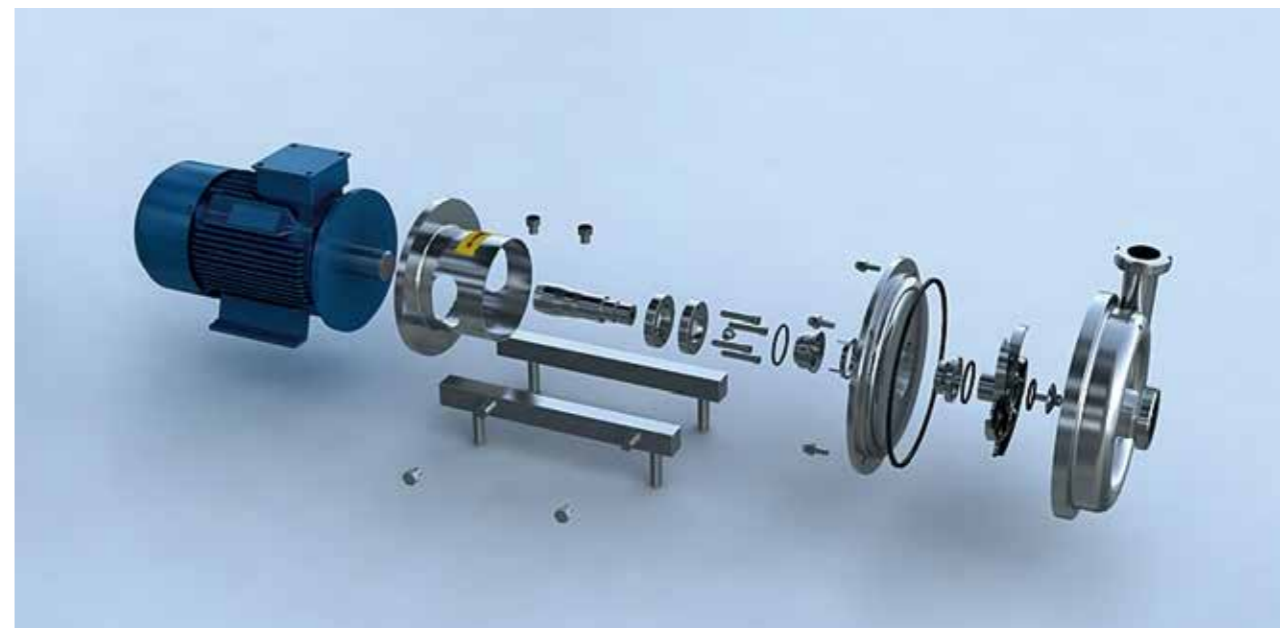
Technical Specifications

- 最大流量: 130 m³/h
- 最高扬程: 70 H(m)
- 最高温度: 120°C / 248° F
- 最高转速: 3600 min⁻¹
- 卫生认证: 3A-02-10/ NO.1597, 密封FDA.177.2600
- Max. flow: 130 m³/h
- Max. head: 70H(m)
- Max. temperature: 120 °C/ 248° F
- Max. rev.: 3600 min⁻¹
- Certificate:3A-02-10/NO.1597, FDA.177.2600

设计和特点

Design and Features

- 不锈钢电机外围由冷成型板做成；开式叶轮或闭式叶轮由不锈钢熔模铸造；
- 可调节不锈钢脚；根据3A卫生标准认证；IEC或NEMA B35电机，IP55，F等级绝缘，50HZ,60HZ
- Casing manufactured with cold-formed plate. Open impeller and close impeller manufactured with stainless steel investment casting.
- Adjustable stainless steel legs. Pump designed according to 3A sanitary standards. IEC NEMA B34 motors, IP 55, F-class insulation,50HZ,60HZ



选项

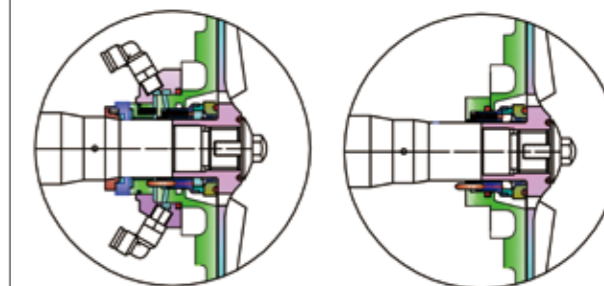
Options

- 机械密封圈:C/SiC,TC/TC
- 垫圈:FPM(VITON)和NBR
- 进出口连接: 卡箍、螺纹、法兰, DIN,SMS,RJT,IDF
- 电机2900, 1450,3600Min/1,50HZ,60HZ
- 单端面机械密封(标准)
- 水冲洗双端面机械密封(选项)
- Mechanical seal in: C/St.S and SiC/Sic
- Gaskets in : FPM (Viton)and PTFE
- Connections: Clamp,thread,flange,DIN,SMS,RJT,IDF
- Motor 2900, 1450,3600 rev./min., 50HZ,60HZ
- Single mechanical seal(standard)
- Flushed couple mechanical seal(Options)

材质

Materials

- 与物料接触部位:AISI 316L/304
- 垫圈(标准):EPDM (FDA)
- 机械密封圈(标准):C/SiC/EPDM
- 内表面处理:Ra ≤0.8
- 外表面处理:喷砂处理或抛光处理
- Parts in contact with pumped media: AISI 316L/AISI304
- Gaskets (standard): EPDM (FDA)
- Mechanical seal (standard): C/SiC/EPDM
- Inside surface finishing: Ra≤0.8 um
- Outside surface finishing: Sandblast or Mirror Polish



水冲洗双端面机械密封
Flushed double mechanical seal

单端面机械密封
Single mechanical seal

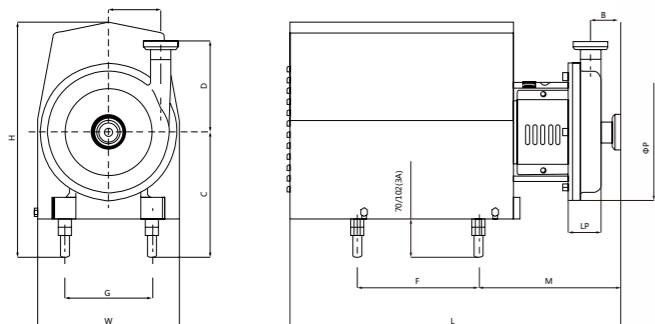
电机采用IEC EN IE2高效等级(相当于中国二级能效), PTC热敏电阻
Motor the IEC EN IE2 (Equivalent to China two energy efficiency),PTC thermistor

宽带压电压Wide input range motor

功率 (kW) Power (KW)	电压备注 Voltage	功率 (kW) Power (KW)	电压备注 Voltage
0.55	210V~230V/50HZ 360V~400V/50HZ 420V~460V/60HZ	4	360V~400V/50HZ 630V~690V/50HZ 420V~460V/60HZ
0.75		5.5	
1.1		7.5	
1.5		11	
2.2		15	
3		18.5	
		30	

其他电压和频率电机请与格东联系

Please contact DGEDONG for any other voltage or frequency of motor.



开式离心泵安装尺寸

Centrifugal Pump Open Impeller Series

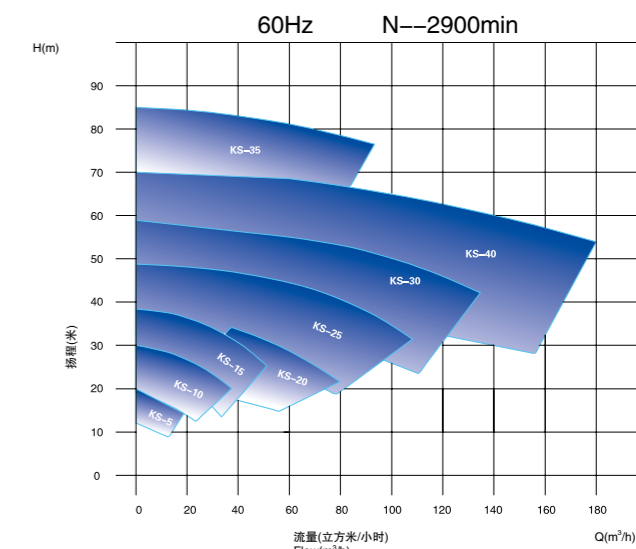
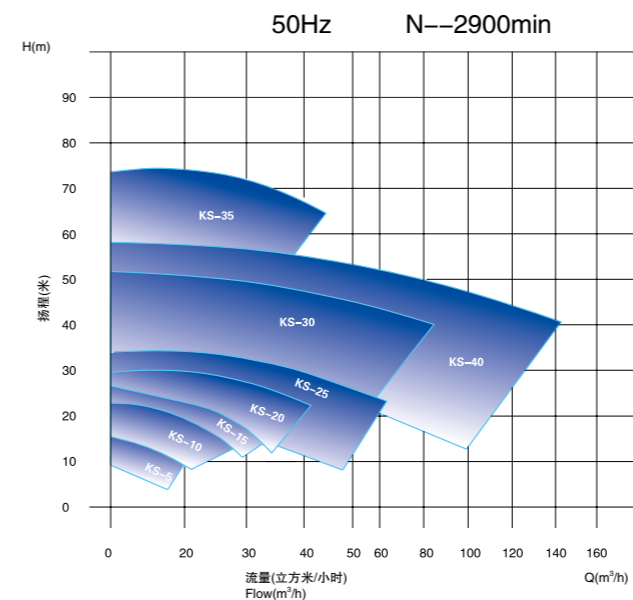
型号 Modes	泵头规格 Pump Dimension						外形安装尺寸 Assembly Dimension											3A 标准	
	功率 Power (kw)	进口 Inlet d" /DN	出口 Outlet d" /DN	ΦP	Lp	机械密封 Mechanical seal size	A	B	C	D	M	F	G	H	L	W	C	H	
KSCP-5	0.75	1.5" /32	1.5" /32	189	50	Φ32	63	56.5	200	136	169	203	125	370	452	210	232	402	
	0.75	1.5" /32	1.5" /32	189	50	Φ32			200		173	203	125	370	452	210	232	402	
KSCP-10	1.1	1.5" /32	1.5" /32	189	50	Φ32	63	56.5	200	136	175	203	125	370	452	210	232	402	
	1.5	1.5" /40	1.5" /40	189	50	Φ32			190		161	240	140	360	492	210	222	392	
	2.2	1.5" /40	1.5" /40	189	50	Φ32			190		162	240	140	360	492	210	222	392	
KSCP-15	1.5	2" /50	1.5" /40	250	61	Φ32	95.6	44	190	155	187	240	140	360	525	210	222	392	
	2.2	2" /50	1.5" /40	250	61	Φ32			230		171	300	160	430	593	260	262	462	
KSCP-20	3	2" /50	2" /50	250	74.5	Φ32	90.2	45	230	155	171	300	160	430	592	260	262	462	
	4	2" /50	2" /50	250	74.5	Φ32			242		197	330	216	460	653	310	274	462	
KSCP-25	5.5	2.5" /65	2" /50	250	74.5	Φ32	108	60	230	158	173	300	216	430	500	260	262	462	
	3	2" /50	1.5" /40	268	57	Φ32			222		181	300	216	430	590	260	254	462	
KSCP-30	4	2" /50	1.5" /40	268	57	Φ32	108	60	242	158	196	330	254	460	651	310	274	492	
	5.5	2.5" /65	2" /50	268	57	Φ32			242		199	330	254	460	651	310	274	492	
KSCP-35	7.5	2.5" /65	2" /50	268	57	Φ32	131	76	242	229	216	330	254	460	721	310	274	492	
	11	2.5" /65	1.5" /40	350	86.5	Φ36			290		234	450	254	575	871	375	322	607	
	15	2.5" /65	2" /50	350	86.5	Φ36			290		240	450	254	575	871	375	322	607	
KSCP-40	11	2.5" /65	2.5" /65	303	90	Φ36	105	83.5	290	214	235	450	254	575	866	375	322	607	
	15	3" /80	2.5" /50	303	90	Φ36			290		236	450	254	575	866	375	322	607	
	18.5	3" /80	2.5" /65	303	90	Φ36			290		234	450	254	575	921	375	322	607	
	22	3" /80	2.5" /65	303	90	Φ36			310		234	515	279	625	946	400	342	657	

注意: 详细选型详见选型表; 以下表格里的尺寸为参考值, 实际尺寸以实物为准。
 Attention: Please refer to selection table for details of next page. The size in the following form is the reference value, the actual size is according to practicality.



离心泵型号说明

Model Instruction of Centrifugal Pump



SCP系列型号

Centrifugal pump

SCP series pump and motor configuration

序号	型号 Model	流量 Flow	扬程 Lift	功率 Power	进口/出口 Inlet/Outlet	电机品牌 Motor Option
1	KSCP-1.5-14	1.5 T	14 M	0.55KW	38/32	ABB 电机 ABB Motor 西门子电机 SIEMENS Motor
2	KSCP-3-16	3 T	16 M	0.75KW	38/38	
3	KSCP-5-16	5 T	16 M	1.1KW	38/38	
4	KSCP-3-24	3 T	24 M	1.5KW	51/38	
5	KSCP-3-30	3 T	30 M	2.2KW	51/38	
6	KSCP-5-24	5 T	24 M	1.5KW	51/38	
7	KSCP-5-30	5 T	32 M	2.2KW	51/38	
8	KSCP-10-24	10 T	24 M	2.2KW	51/38	
9	KSCP-10-36	10 T	36 M	3KW	51/38	
10	KSCP-15-24	15 T	24 M	3KW	51/51	
11	KSCP-20-24	20 T	24 M	4KW	51/51	
12	KSCP-20-36	20 T	36 M	5.5KW	51/51	
13	KSCP-25-35	25 T	35 M	5.5KW	51/51	
14	KSCP-30-24	30 T	24 M	5.5KW	63/51	
15	KSCP-30-36	30 T	36 M	7.5KW	63/51	
16	SCP-40-24	40 T	24 M	7.5KW	63/51	
17	KSCP-20-60	20 T	60 M	11KW	63/51	
18	KSCP-30-50	30 T	50 M	11KW	63/63	
19	KSCP-40-35	40 T	35 M	11KW	63/63	
20	KSCP-40-50	40 T	50 M	15KW	76/63	
21	KSCP-60-30	60 T	30 M	15KW	76/63	
22	KSCP-30-60	30 T	60 M	15KW	76/51	
23	KSCP-50-50	50T	50M	18.5KM	76/63	
24	KSCP-80-50	80T	50M	22KM	89/76	



离心泵 Centrifugal Pump

- 该泵闭式叶轮设计，适用于食品加工、酿酒、饮料等工业领域。
- 该泵为顺时针旋转，即使简单的反转也是禁止的。从电机后面也可以判断旋转方向。
- 该泵通过 3A-02-10 认证，密封通过 FDA.177.2600 认证。
- BS Series centrifugal pump is designed with close impeller,widely used in dairies, beverage, food-processing industry.
- The correct direction of rotation of this pump is clockwise, it is not .
- The direction of rotation can be viewed from motor.

技术规格 Technical Specifications

- 最大流量: 130m³/h
- 最高扬程: 100H(M)
- 最高转速: 3600Min-1
- 最高温度: 120°C /248 °F (CIP/SIP)
- 与物料接触材质: SS304/316
- 其他部位材质: SS304
- 机械密封: SIC/SIC/EPDM (标准)
- 表面处理: 抛光 / 亚光
- 进出口: 卡箍连接 (标准)

电机采用IEC EN IE2高效等级 (相当于中国二级能效), PTC热敏电阻 Motor the IEC EN IE2 (Equivalent to China two energy efficiency), PTC thermistor

宽带电压Wide input range motor

功率 (kW) Power (KW)	电压备注 Voltage	功率 (kW) Power (KW)	电压备注 Voltage
0.55	210V~230V/50HZ	4	360V~400V/50HZ
0.75		5.5	
1.1	360V~400V/50HZ	7.5	630V~690V/50HZ
1.5		11	
2.2	420V~460V/60HZ	15	420V~460V/60HZ
3		18.5	
		30	

其他电压和频率电机请与格东联系
Please contact DGEDONG for any other voltage or frequency of motor.

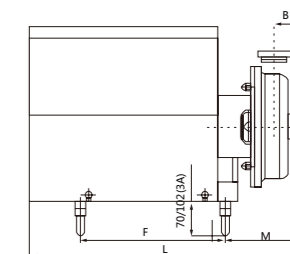
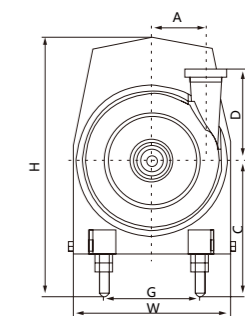
- Max.Flow:130m³/h
- Max.Head:100H(M)
- Max.rev:3600Min-1
- Max.working temperature:120°C /248 °F (CIP/SIP)
- Material in contacting with products:SS304/316
- Other parts:SS304
- Mechanical seal:SIC/SIC/EPDM(standard)
- Surface finish:Mirror or satin polish
- Inlet & Outlet: Connection Clamp (Standard)

卫生离心泵型号说明

Sanitary type Pump Model explanation

示例: (Example)
SCP 25A-170-7.5AB

- 泵出口接头形式 (pump outlet coupling model)
 - A:ISO 卡箍接头 (LSO Clamp)
 - B:ISO 螺纹活接头 (LSO Male)
- 泵进口接头形式 (pump inlet coupling model)
 - C:DIN 螺纹活接头 (DIN Male)
 - D:SMS 螺纹活接头 (SMS Male)
 - E:BS 螺纹活接头 (BS Male)
 - F: 法兰连接 (Flange coupling)
- 电动机功率 :kw (Motor power)
- 叶轮直径 : mm (Impeller diameter)
- 密封形式 (Shaft seals model)
 - 缺省: 单端面机械密封 (Default(Single mechanical shaft seal)
 - A: 带水冲洗单端面机械密封 (Flushed single mechanical shaft seal)
 - B: 双端面机械密封 (Double mechanical shaft seal)
- 机座号 : (Frame size)
10,15,18,25,30,35,38,40
- 卫生离心泵 : (sanitary Centrifugal pump)



注意: 详细选型详见选型表; 以下表格里的尺寸为参考值, 实际尺寸以实物为准。
Attention: Please refer to selection table for details of next page, The size in the following form is the reference value, the actual size is according to practicality.

型号 Model	泵头规格 Pump Dimension						外形安装尺寸 Assembly Dimension											3A标准	
	功率 Power (KW)	进口 Inlet d"/DN	出口 Outlet d"/DN	φ p	Lp	机械密封 Mechanical seal size	A	B	C	D	M	F	G	H	L	W	C	M	
BSCP-2	0.75	1.5"/32	1.5"/32	174	68	22	56	51	200	136	162	203	125	370	449	210	212	402	
	1.1	1.5"/32	1.5"/32	174	68	22	56	51	200	136	162	203	125	370	449	210	212	402	
BSCP-4	1.5	1.5"/32	1.5"/40	215	75	22	76	59	190	151	174	240	140	360	514	210	222	392	
	2.2	2"/50	1.5"/40	215	72	22	76	59	190	142	174	300	140	360	514	210	222	392	
BSCP-6	2.2	2"/50	1.5"/40	234	83	22	86	70	190	173	188	300	160	420	528	260	242	452	
	3	2"/50	1.5"/40	234	83	22	86	70	230	173	180	300	160	420	579	260	242	452	
BSCP-8	3	2"/50	2"/50	243	85	22	86	70	230	173	180	300	190	430	579	260	244	462	
BSCP-10	4	2"/50	2"/50	243	85	22	86	70	222	173	187	300	190	430	606	260	244	462	
BSCP-12	5.5	2"/50	2"/50	243	85	22	86	70	242	167	216	330	216	460	680	310	274	492	
	7.5	2.2"/65	2"/50	243	85	22	86	70	242	167	216	330	216	460	680	310	274	492	

选项

Options

- 泵头低排放: 隔膜阀/球阀/蝶阀
- 机械密封: C/SIC/EPDM
- 进出口: 螺纹/焊接/法兰
- Low discharge in the pump head:Diaphragm valve/ball valve/butterfly valve
- Mechanical seal:C/SIC/EPDM
- Connection way of Inlet&Outlet:Thread,Weld,Flange