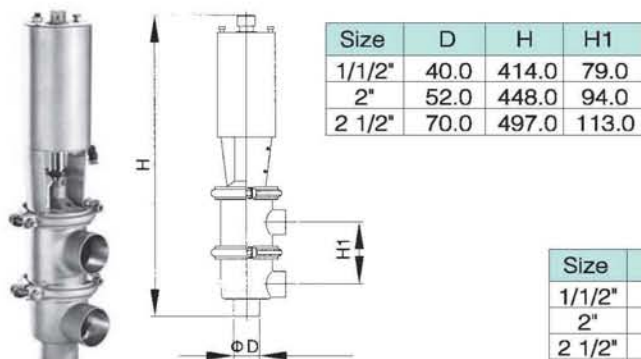
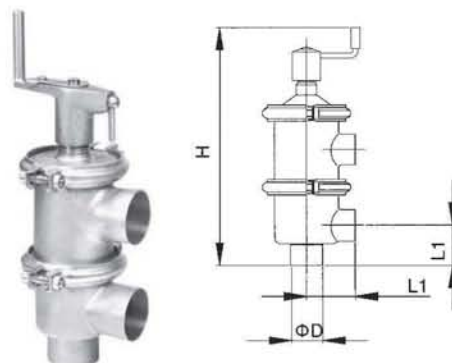


Unit: mm

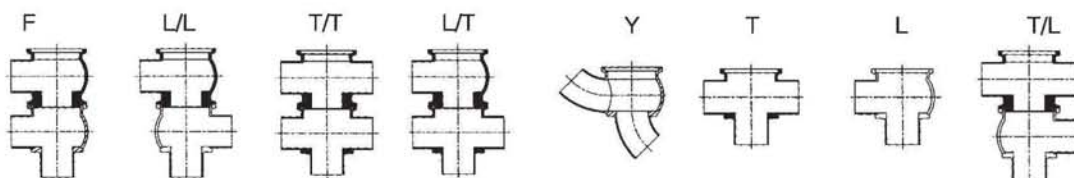
Pneumatic Stop&Divert Valve



Manual Stop&Divert Valve



Flow Type



Connection: Thread/Weld/Clamp

Centrifugal Pump



Flow Volume (Ton/Hour)	Lift (Meter/Water Column)	Electric Power	Inlet/Outlet Diameter
1.5	14	0.5	40/25
3	14	11	40/32
5	24	1.5	50/40
5	32	2.2	50/40
10	24	2.2	50/40
10	36	3	50/40
15	24	3	50
20	24	4	50
20	36	5.5	50
25	24	4	50/50
30	24	5.5	65/50
30	36	7.5	65/50
30	60	11	65/50
35	36	11	65/50
40	36	11	80/65
40	45	11	80/65
50	36	11	80/65
80	30	15	100/80
80	40	18.5	100/80
100	40	22	125/100
100	70	33	125/100
150	40	33	150/125
200	40	45	150/125
200	70	55	150/125

Self-priming Pump



Flow Volume	10-20m/h
Total Lift	18-24m
Sucked Lift	5-6m
Impeller Wheel Axle Diameter	Φ189mm
In/Out Diameter	Φ51mm
Power	4kw(380v 50Hz)
Rotate Speed	1420r/min
Size	600x350x420(mm)

Connection: Thread/Weld/Clamp